



## PROFESSIONAL HEIGHT ADJUSTABLE DESK



Promote :  
Healthy . Efficient.  
Intelligent and Fashionable office idea.

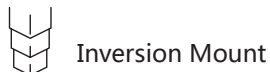


# Why do you choose height adjustable desk ?

Since we have a long time in the office, although the office chair can be designed according to ergonomics, sitting in the office for a long time will still cause back pain. The most direct way is to use a height-adjustable lifting table. It is easy to cause all kinds of cervical vertebrae and lumbar vertebrae if the position of sitting in the office is not right. Standing in the office is conducive to muscle tension, reducing the occurrence of frozen shoulder and cervical spondylosis, sitting and standing alternately, creating a healthier office. the way. Improve work efficiency and health benefits.



## Optional leg



Inversion Mount



Standard

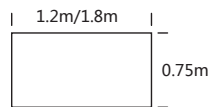


## Optional desktop

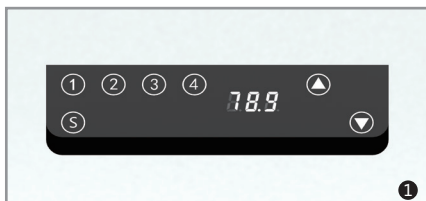
color



desktop length : 1.2m/1.8m

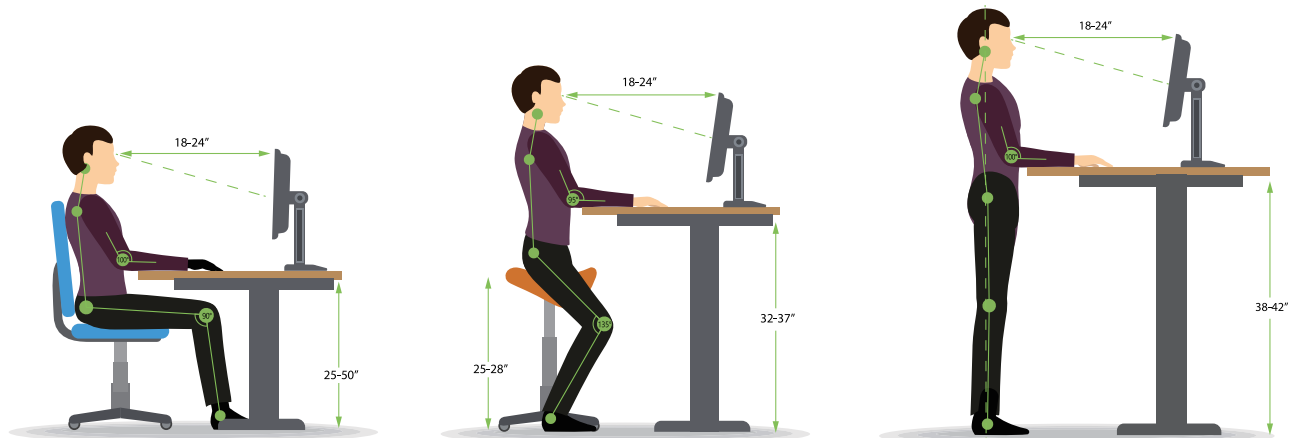


## Optional leg color



## Optional handset







# WIFI - APP

( From Desktop to Palm)

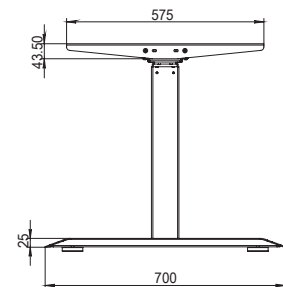
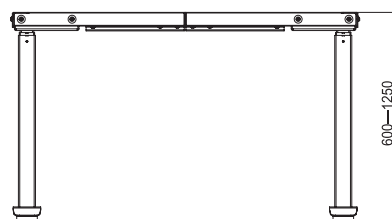
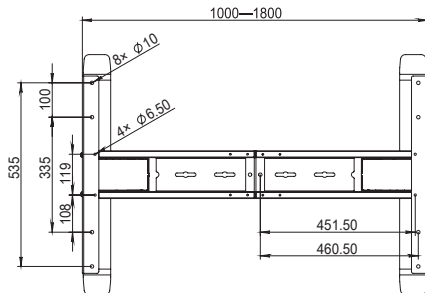




## WEPL04-3-2T

### Parameters

Adjustable height (mm)	620-1270
Stroke length (mm)	650
Max speed (mm/s)	32
Frame adjustable range (mm)	1000-1800
Max load (N)	1200
Noise (dB)	< 50
Input Power (V)	AC100~220V@50~60Hz
Recommended desktop size (mm)	1000~1800×60

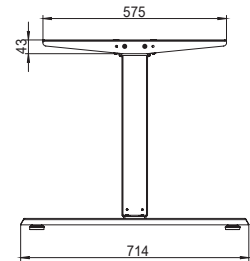
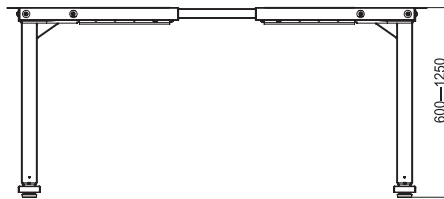
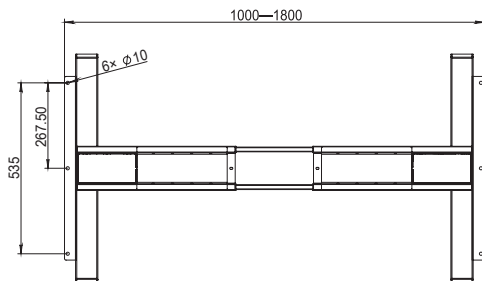




## WEPL04S-3-2T

### Parameters

Adjustable height (mm)	620-1270
Stroke length (mm)	650
Max speed (mm/s)	32
Frame adjustable range (mm)	1000-1800
Max load (N)	1200
Noise (dB)	<50
Input Power (V)	AC100~220V@50~60Hz
Recommended desktop size (mm)	1000~1800×60

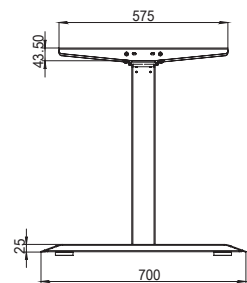
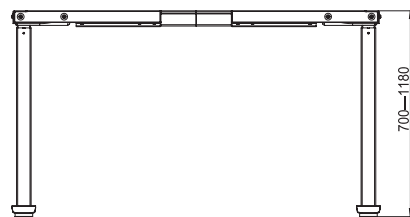
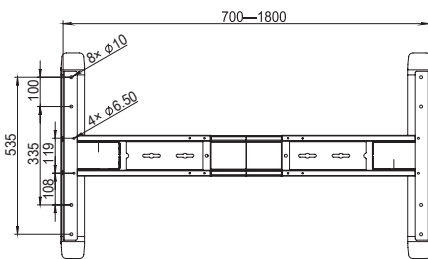




## WEPL04-2-2T

### Parameters

Adjustable height (mm)	720-1200
Stroke length (mm)	480
Max speed (mm/s)	20
Frame adjustable range (mm)	1000-1800
Max load (N)	1200N
Noise (dB)	<50
Input Power (V)	AC100~220V@50~60Hz
Recommended desktop size(mm)	1000~1800*60



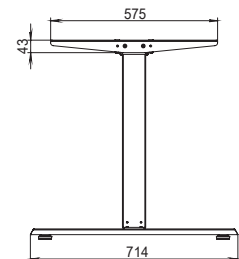
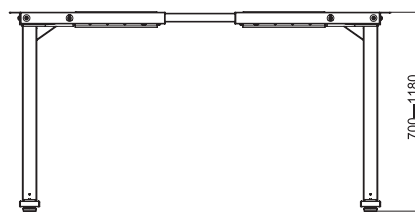
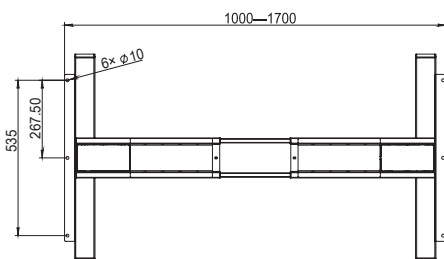




## WEPL04S-2-2T

### Parameters

Adjustable height (mm)	720-1200
Stroke length (mm)	480
Max speed (mm/s)	20
Frame adjustable range (mm)	1000-1700
Max load (N)	1000N
Noise (dB)	<50
Input Power (V)	AC100~220V@50~60Hz
Recommended desktop size (mm)	1000~1800×60

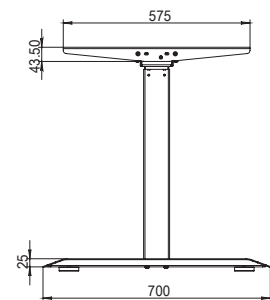
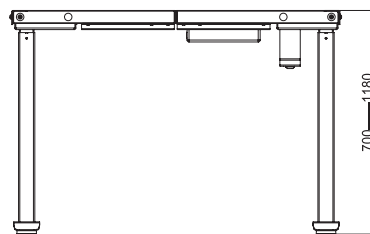
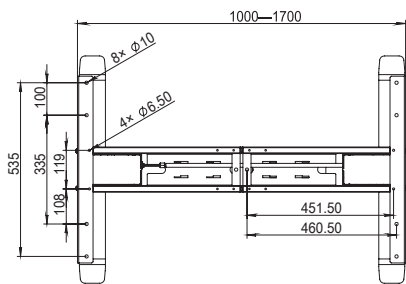




## WEPL01

### Parameters

Adjustable height (mm)	720-1200
Stroke length (mm)	480
Max speed (mm/s)	20
Frame adjustable range (mm)	1000-1700
Max load ( N )	800N
Noise (dB)	< 50
Input Power (V)	AC100~220V@50~60Hz
Recommended desktop size(mm)	1000~1800×60

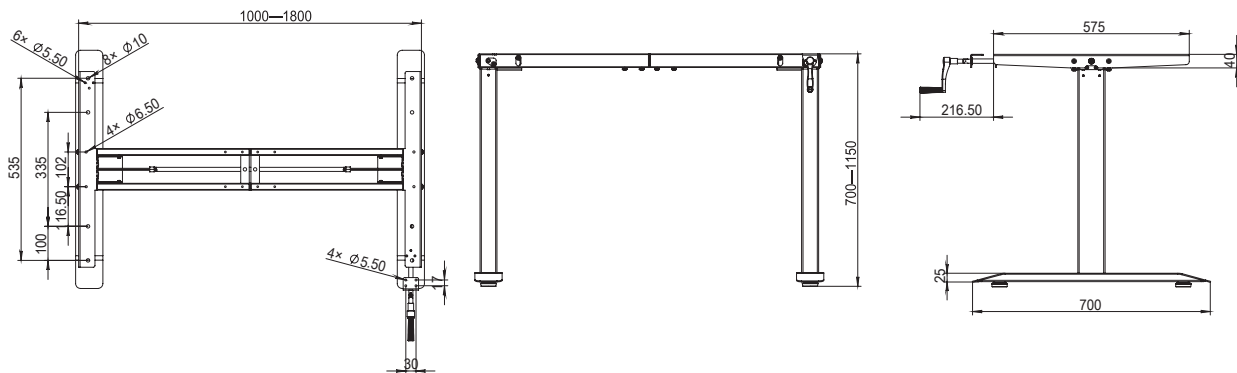




## WEPLSY02

### Parameters

Adjustable height (mm)	720-1170
Stroke length (mm)	450
Max speed (mm/s)	
Frame adjustable range (mm)	1000-1800
Max load ( N )	800N
Noise (dB)	
Input Power (V)	
Recommended desktop size( mm)	1000~1800*60



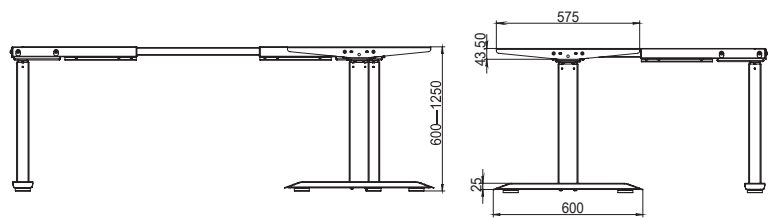
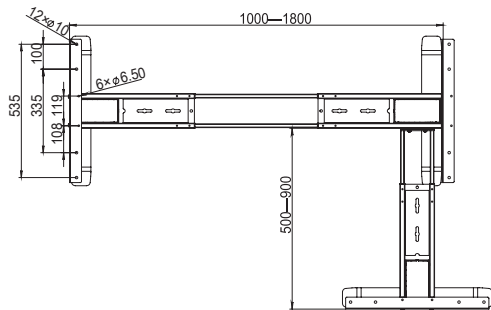
Promote :  
Healthy . Efficient.  
Intelligent and Fashionable office idea.





## WEPL04-3-3T90

Parameters	
Adjustable height (mm)	620-1270
Stroke length (mm)	650
Max speed (mm/s)	32
Frame adjustable range (mm)	1000-1800+500-900
Max load (N)	1500
Noise (dB)	<50
Input Power (V)	AC100~220V@50~60Hz
Recommended desktop size( mm)	1000 ~ 1800*60 + 500 - 1000

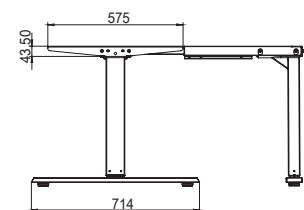
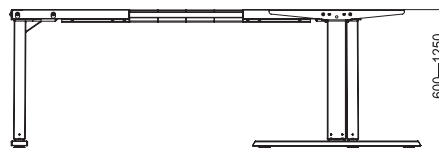
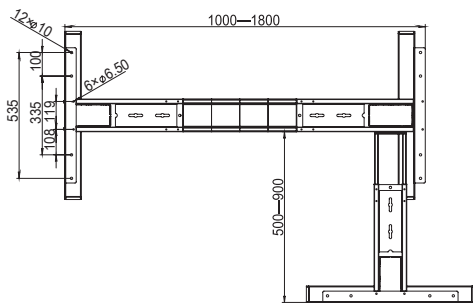




## WEPL04S-3-3T90

### Parameters

Adjustable height (mm)	620-1270
Stroke length (mm)	650
Max speed (mm/s)	32
Frame adjustable range (mm)	1000-1800+500-900
Max load (N)	1500
Noise (dB)	<50
Input Power (V)	AC100~220V@50~60Hz
Recommended desktop size( mm)	1000~1800*60+500-1000

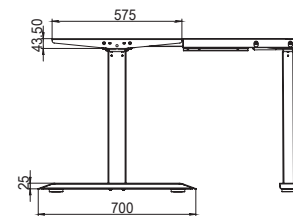
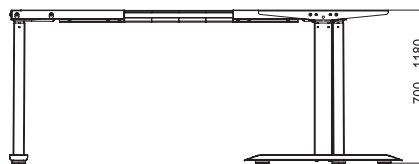
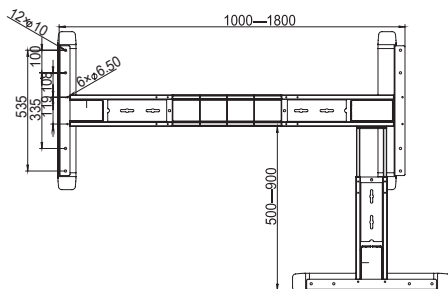




## WEPL04-2-3T90

### Parameters

Adjustable height (mm)	720-1200
Stroke length (mm)	480
Max speed (mm/s)	20
Frame adjustable range (mm)	1000-1800+500-900
Max load (N)	1500
Noise (dB)	<50
Input Power (V)	AC100~220V@50~60Hz
Recommended desktop size( mm)	1000 ~ 1800*60 + 500 - 1000

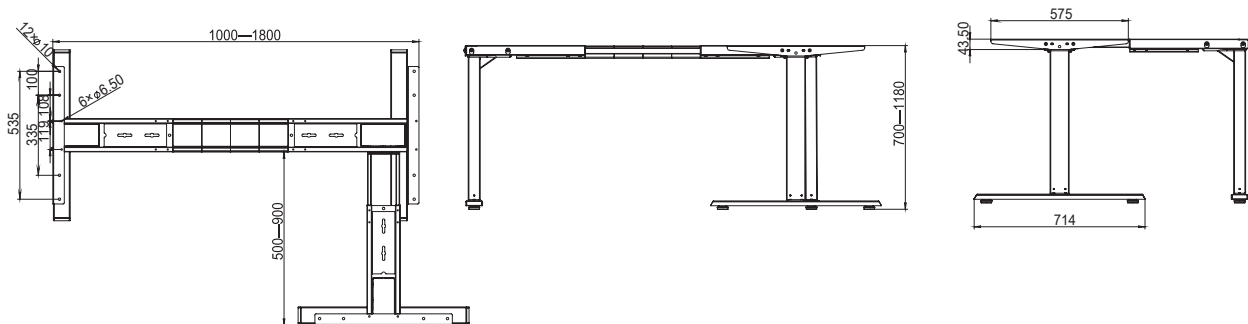




## WEPL04S-2-3T90

### Parameters

Adjustable height (mm)	720-1200
Stroke length (mm)	480
Max speed (mm/s)	20
Frame adjustable range (mm)	1000-1800+500-900
Max load (N)	1500
Noise (dB)	<50
Input Power (V)	AC100~220V@50~60Hz
Recommended desktop size(mm)	1000~1800*60+500-1000



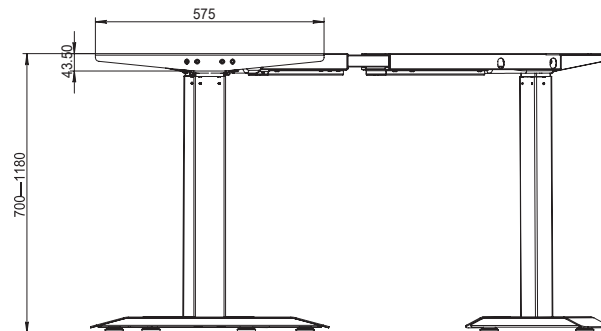
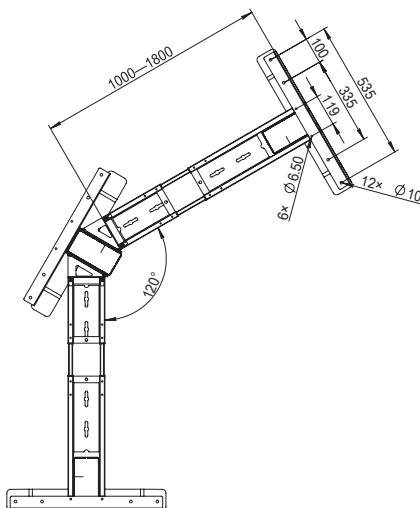




## WEPL04-2-3T120

### Parameters

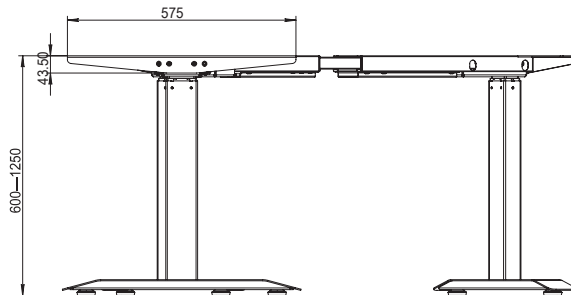
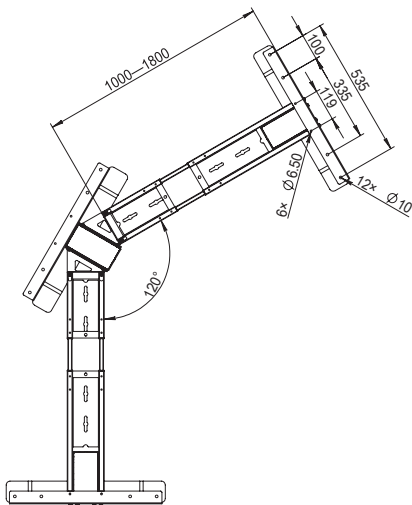
Adjustable height (mm)	720-1200
Stroke length (mm)	480
Max speed (mm/s)	20
Frame adjustable range (mm)	1000-1800
Max load (N)	1500
Noise (dB)	<50
Input Power (V)	AC100~220V@50~60Hz
Recommended desktop size (mm)	2×1200×550





## WEPL04-3-3T120

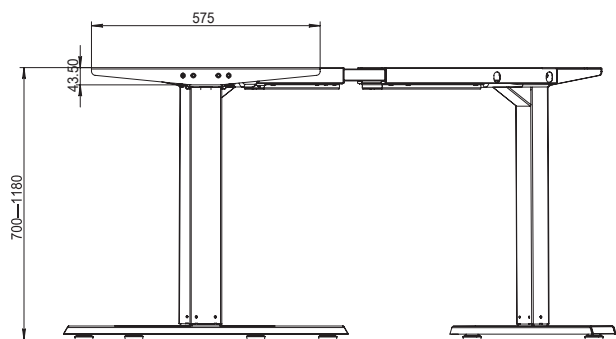
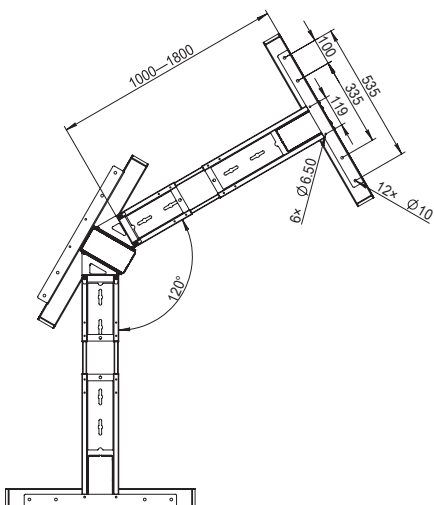
Parameters	
Adjustable height (mm)	620-1270
Stroke length (mm)	650
Max speed (mm/s)	32
Frame adjustable range (mm)	1000-1800
Max load (N)	1500
Noise (dB)	<50
Input Power (V)	AC100~220V@50~60Hz
Recommended desktop size (mm)	2×1200×550





## WEPL04S-2-3T120

Parameters	
Adjustable height (mm)	720-1200
Stroke length (mm)	480
Max speed (mm/s)	20
Frame adjustable range (mm)	1000-1800
Max load (N)	1500
Noise (dB)	<50
Input Power (V)	AC100~220V@50~60Hz
Recommended desktop size (mm)	2×1200×550

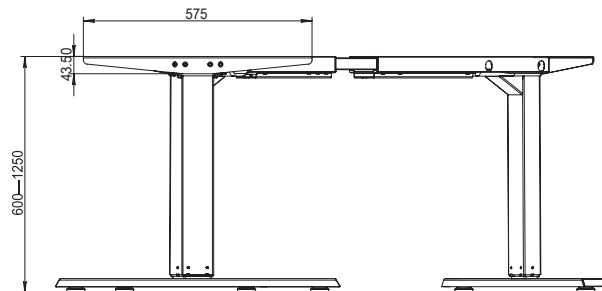
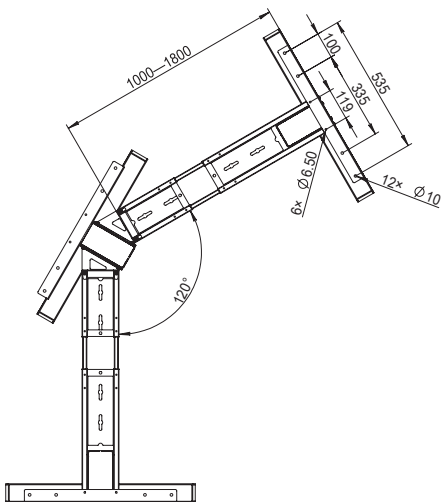




### WEPL04S-3-3T120

#### Parameters

Adjustable height (mm)	620-1270
Stroke length (mm)	650
Max speed (mm/s)	32
Frame adjustable range (mm)	1000-1800
Max load (N)	1500
Noise (dB)	<50
Input Power (V)	AC100~220V@50~60Hz
Recommended desktop size (mm)	2×1200×550



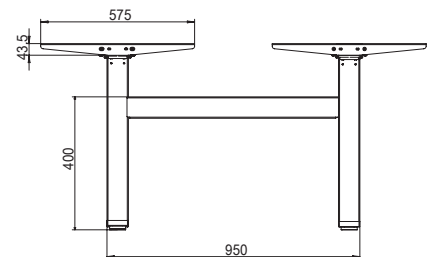
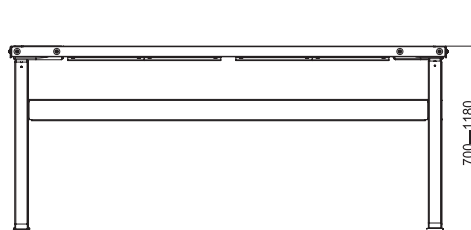
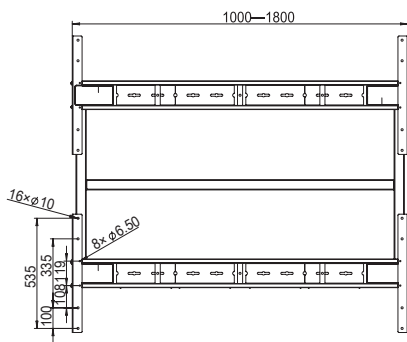
Promote :  
Healthy . Efficient.  
Intelligent and Fashionable office idea.





## WEPL04-2-2TT

Parameters	
Adjustable height (mm)	720-1200
Stroke length (mm)	480
Max speed (mm/s)	20
Frame adjustable range (mm)	The size can be customized
Max load ( N )	1200N
Noise (dB)	< 50
Input Power (V)	AC100~220V@50~60Hz
Recommended desktop size( mm)	1000~1800*60*2

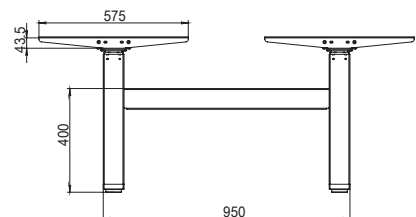
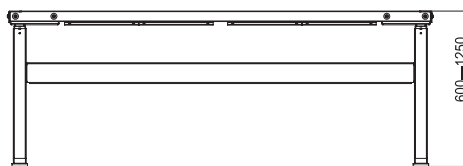
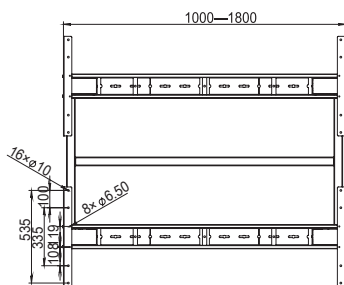




## WEPL04-3-2TT

### Parameters

Adjustable height (mm)	620-1270
Stroke length (mm)	650
Max speed (mm/s)	32
Frame adjustable range (mm)	The size can be customized
Max load (N)	1200
Noise (dB)	<50
Input Power (V)	AC100~220V@50~60Hz
Recommended desktop size(mm)	1000~1800*60×2

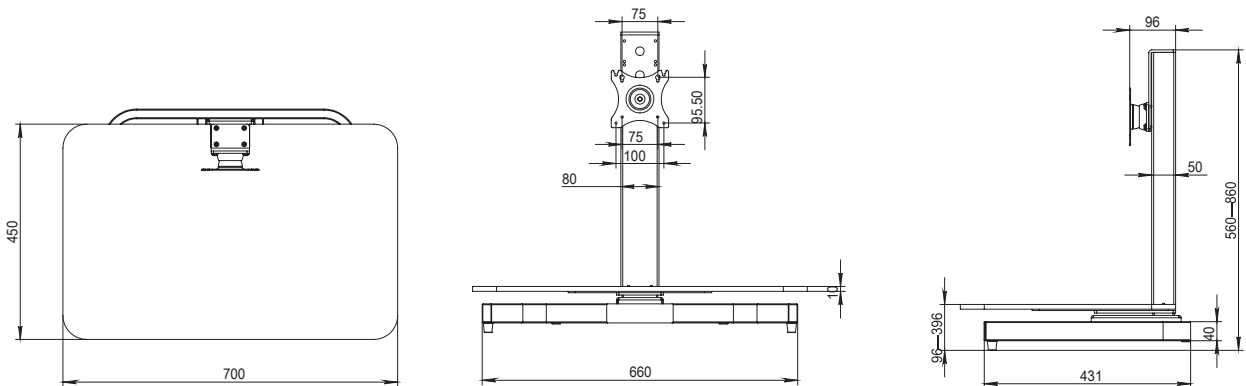




## WEPLZ-01

### Parameters

Adjustable height ( mm )	560-860
stroke length ( mm )	300
Max speed ( mm/s )	20
Max load ( N )	200
Noise( dB )	<50
Input Power ( V )	AC100~220V@50~60Hz







## WEPLZ-05

Parameters	
Adjustable height (mm)	620-1270
stroke length (mm)	650
Max speed (mm/s)	32
Max load (N)	1000
Noise(dB)	<50
Input Power (V)	AC 110-240V @50-60Hz



Plot No. - 3, Street No. - 4, Vikas Nagar Uttam Nagar East,  
New Delhi - 110059

url:- <https://www.waymoreengineering.com> email:- [info@waymoreengineering.com](mailto:info@waymoreengineering.com)

contact:- +91 9821343508